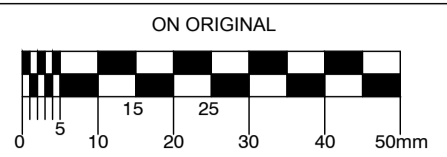
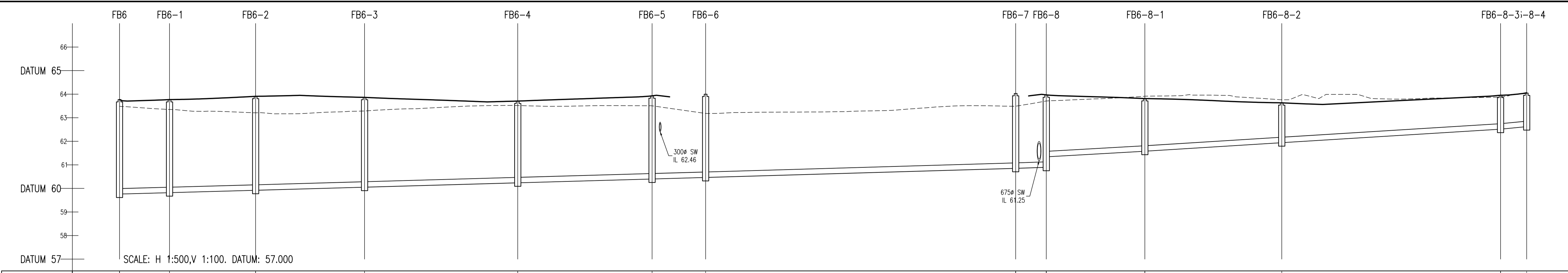


© COPYRIGHT OF THIS DRAWING IS RESERVED BY DBFL CONSULTING ENGINEERS. NO PART SHALL BE REPRODUCED OR TRANSMITTED WITHOUT THEIR WRITTEN PERMISSION.

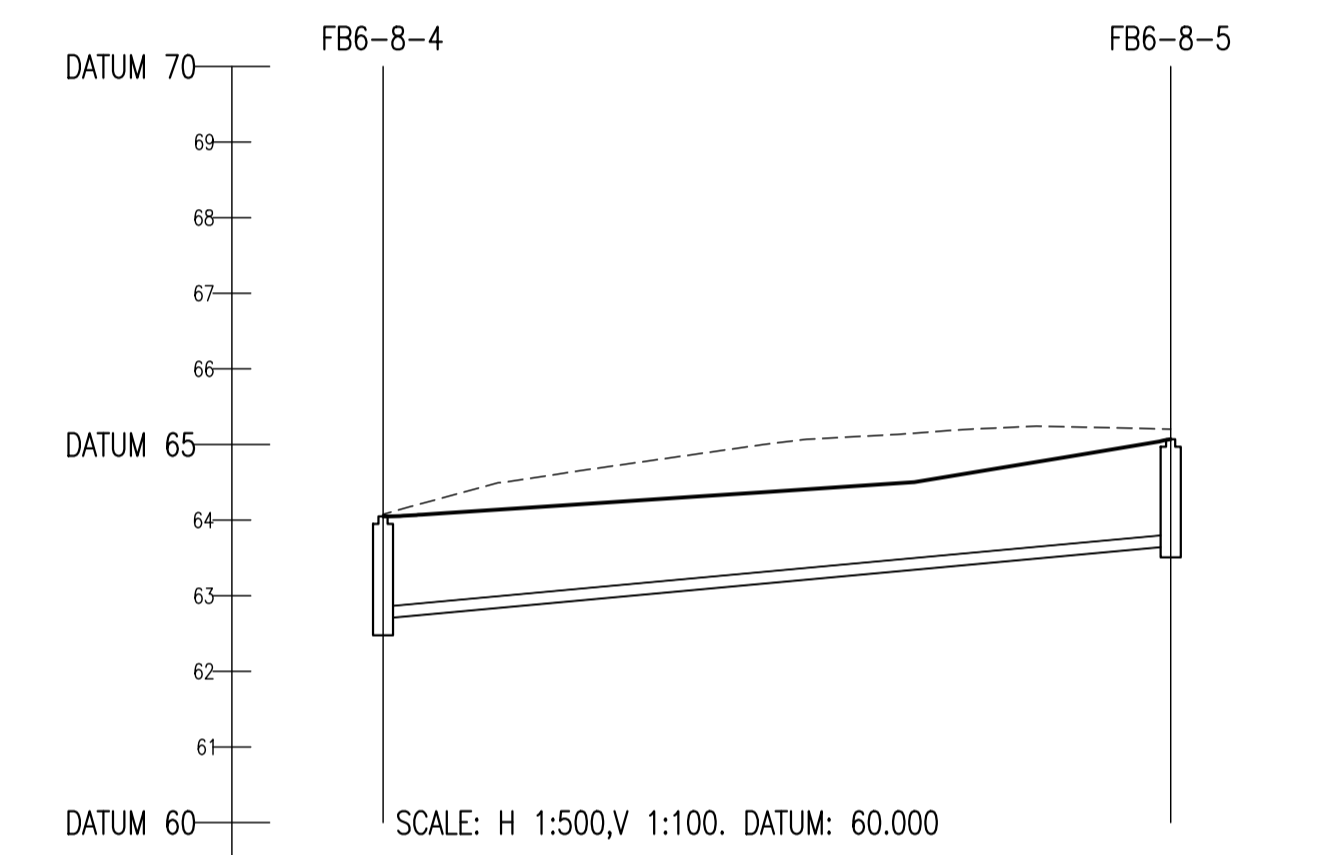


- NOTES:
- ALL DRAWINGS TO BE CHECKED BY CONTRACTOR ON SITE AND ENGINEER INFORMED OF DISCREPANCIES BEFORE WORK COMMENCES
 - ALL LEVELS ARE IN METRES AND ARE RELATED TO ORDNANCE DATUM
 - CONTRACTOR SHALL SATISFY HIMSELF AS TO THE ACCURACY OF PAVEMENT LEVELS ON SITE PRIOR TO COMMENCEMENT OF WORKS ON SITE
 - ALL WORKS TO BE CONSTRUCTED IN ACCORDANCE WITH THE NRA SPECIFICATION FOR ROAD WORKS UNLESS NOTED OTHERWISE
 - THIS DRAWING IS FOR PLANNING PURPOSES ONLY
 - MANHOLE COVER LEVELS ARE TO CONFORM WITH FINISHED ROAD AND PATH LEVELS
 - WHERE COVER TO PIPE IS LESS THAN 1200mm (ROAD/PATH/VERGE) OR 900mm (OPEN SPACE) SURROUND PIPE IN MINIMUM 150mm CONCRETE

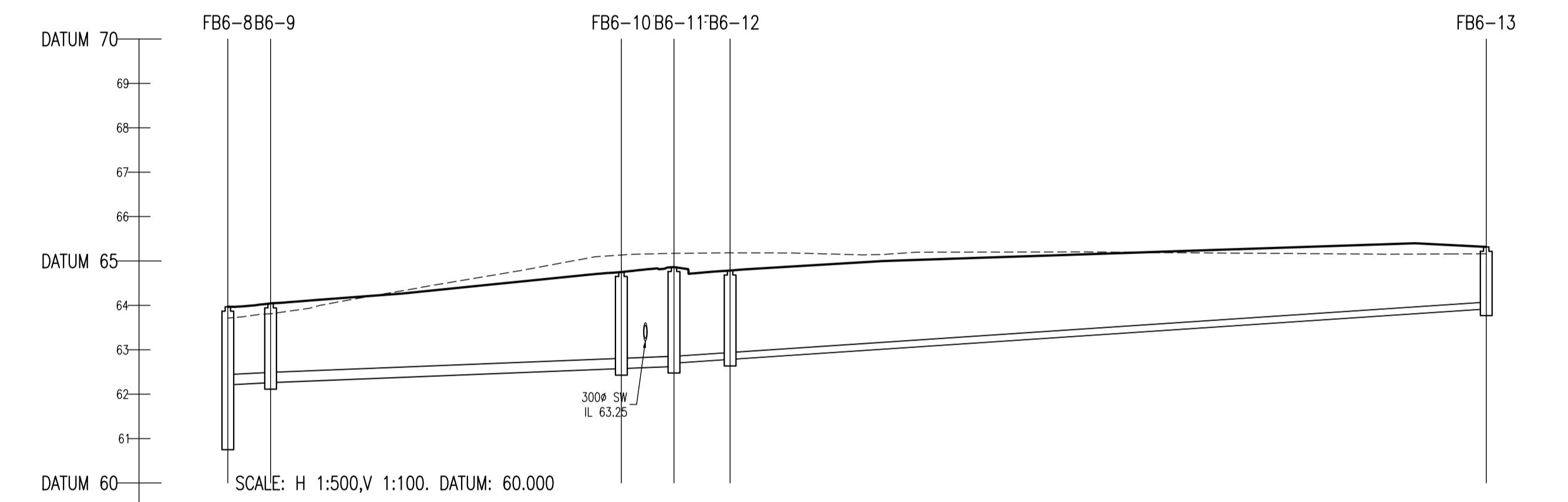
KEY
 - - - - - EXISTING GROUND PROFILE
 _____ PROPOSED GROUND PROFILE



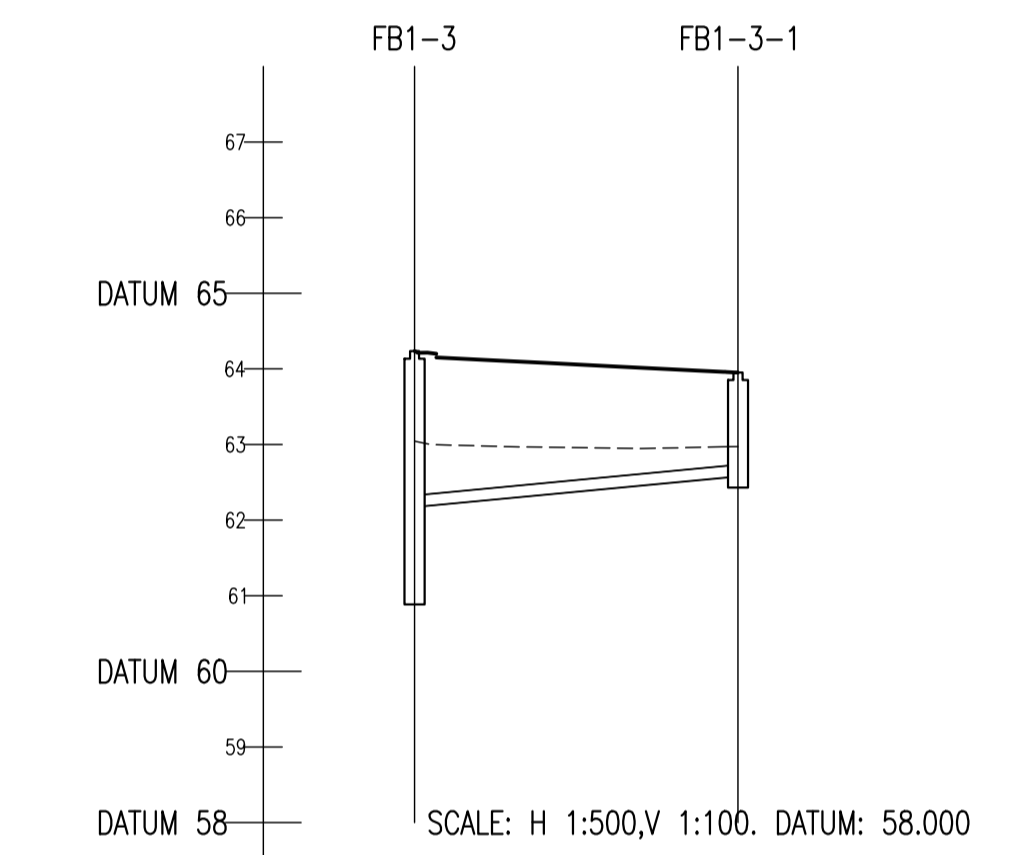
COVER LEVEL	63.770	63.770	63.909	63.864	63.707	63.929	63.999	64.029	63.969	63.813	63.633	63.954	64.049
INVERT LEVEL	59.764	6.012	59.924	6.010	60.056	60.006	6.007	60.464	60.404	6.006	60.855	60.805	60.800
DEPTH (m)	4.006	3.947	3.985	3.869	3.851	3.825	3.531	3.174	3.069	2.231	1.582	1.456	1.423
DISTANCE (m)	10.60	18.25	23.09	32.47	28.47	11.35	65.72	6.48	20.90	29.01	46.38	5.54	1.423
PIPE SLOPE	1:180	1:181	1:176	1:175	1:175	1:175	1:170	1:144	1:88	1:80	1:81	1:51	
PIPE SIZE	225mm	225mm	225mm	225mm	225mm	225mm	225mm	225mm	225mm	225mm	225mm	225mm	225mm



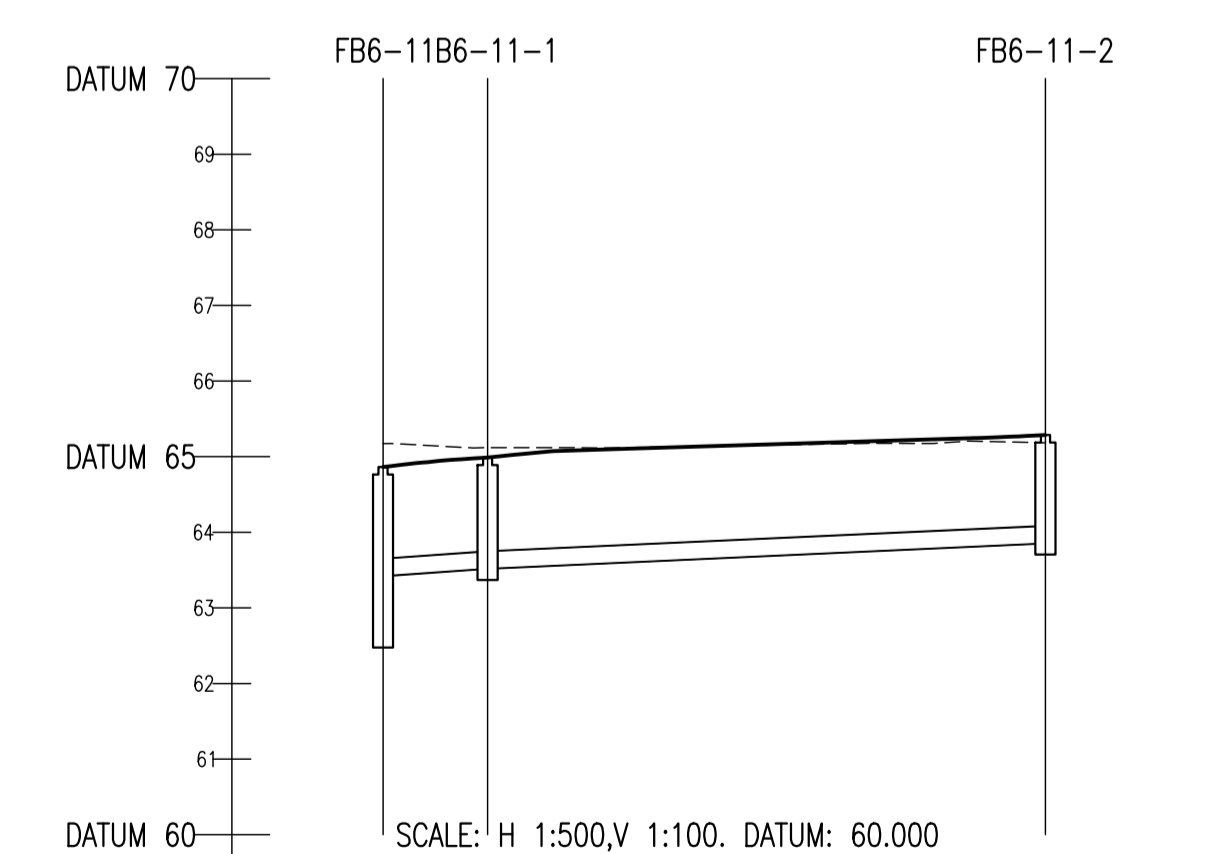
COVER LEVEL	64.049	65.070
INVERT LEVEL	62.701	63.657
DEPTH (m)	1.423	1.413
DISTANCE (m)	52.09	
PIPE SLOPE	1:54	
PIPE SIZE	150mm	



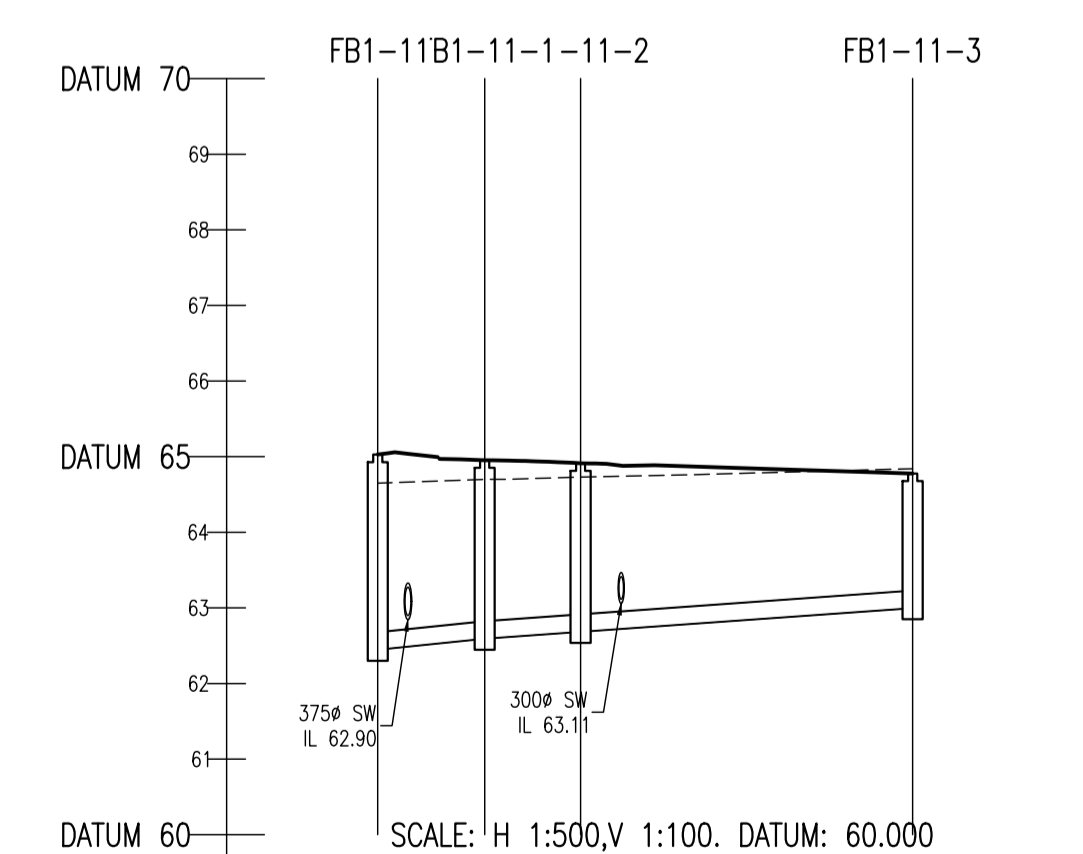
COVER LEVEL	63.969	64.045	64.750	64.863	64.784	65.318
INVERT LEVEL	62.912	62.953	62.579	62.601	62.786	63.921
DEPTH (m)	1.057	1.092	2.171	2.237	1.988	1.397
DISTANCE (m)	4.82	39.50	5.92	6.32	85.15	
PIPE SLOPE	1:94	1:125	1:126	1:74	1:75	
PIPE SIZE	225mm	225mm	225mm	150mm	150mm	



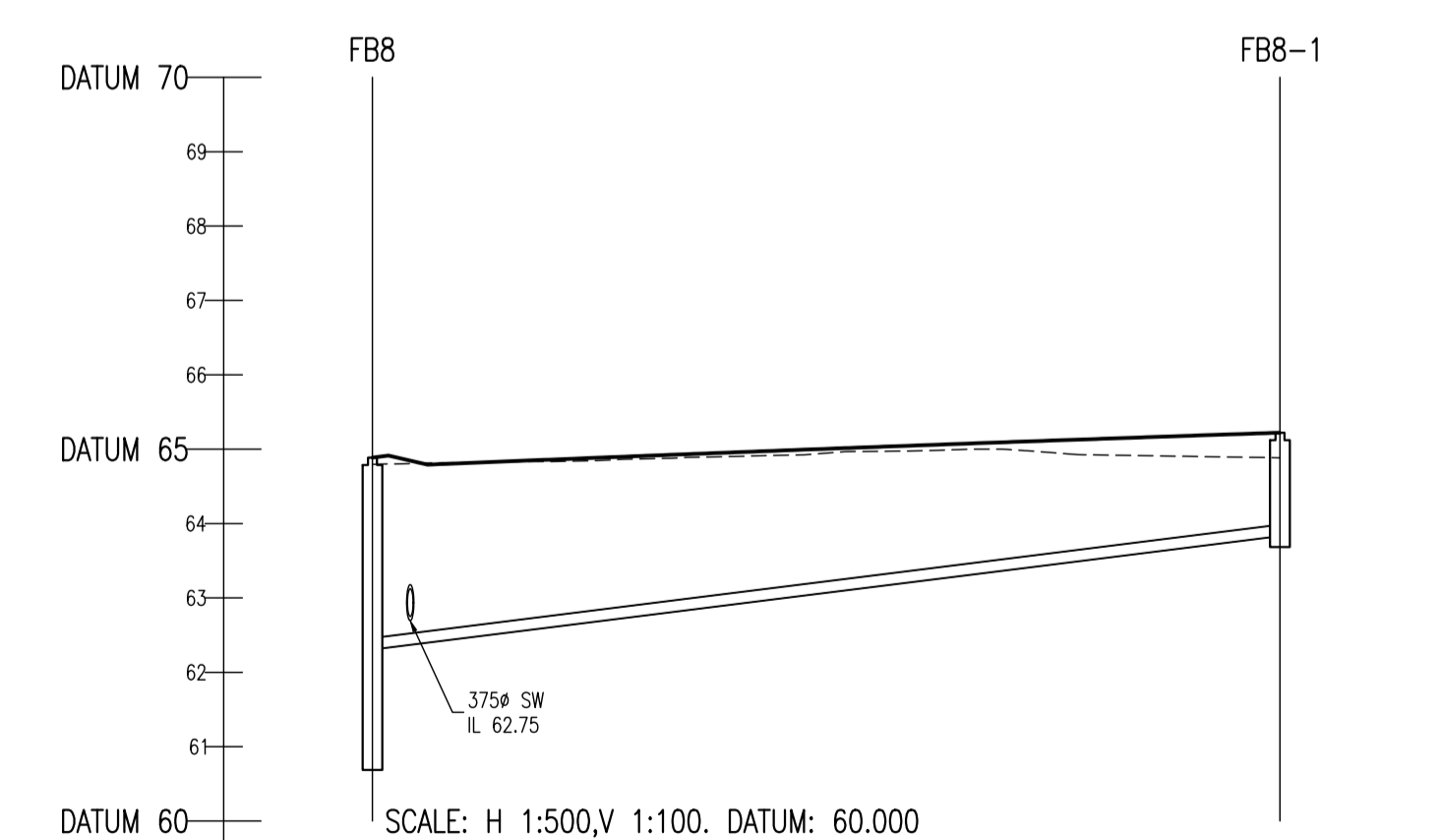
COVER LEVEL	64.235	63.592
INVERT LEVEL	62.175	62.980
DEPTH (m)	3.200	1.372
DISTANCE (m)	21.39	
PIPE SLOPE	1:53	
PIPE SIZE	150mm	



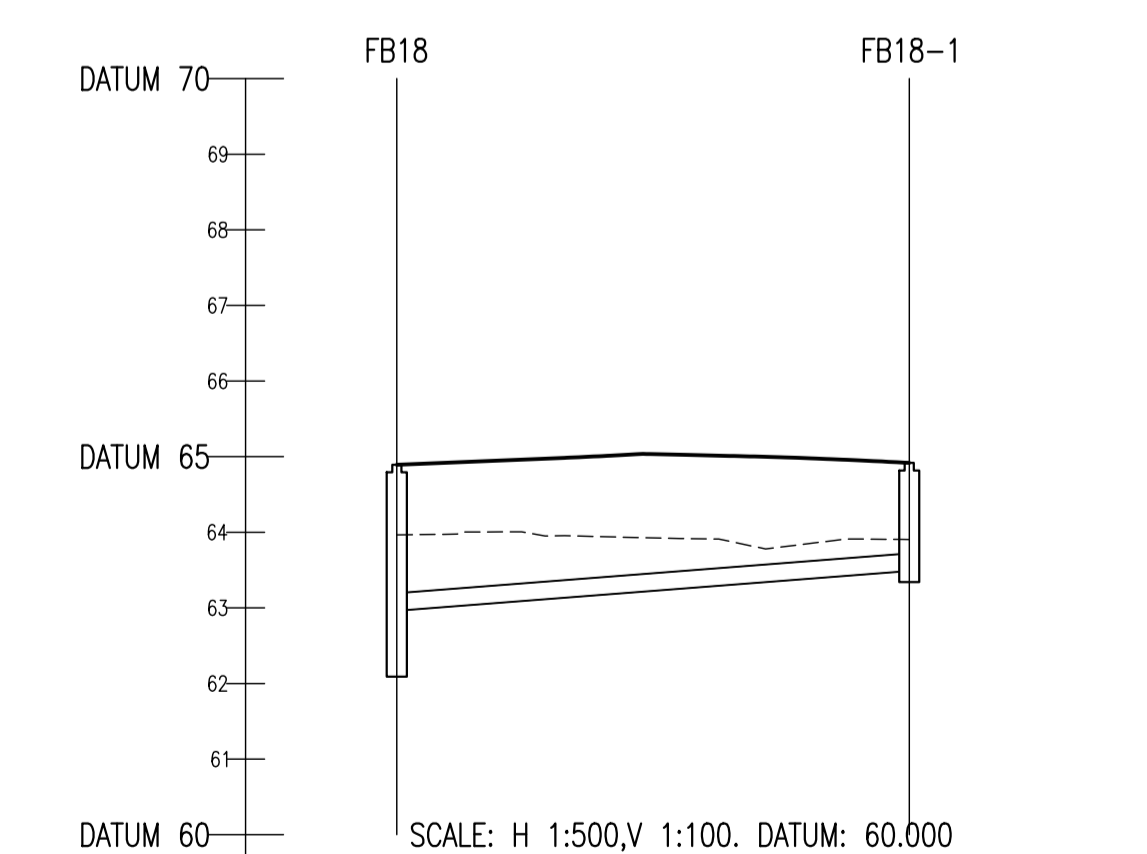
COVER LEVEL	64.883	64.988	65.287
INVERT LEVEL	63.627	63.520	63.855
DEPTH (m)	2.237	1.468	1.432
DISTANCE (m)	6.91	36.90	
PIPE SLOPE	1:71	1:110	
PIPE SIZE	225mm	225mm	



COVER LEVEL	65.027	64.952	64.912	64.777
INVERT LEVEL	62.449	62.955	62.908	62.866
DEPTH (m)	2.578	2.357	2.226	1.777
DISTANCE (m)	7.07	6.34	21.96	
PIPE SLOPE	1:48	1:70	1:70	
PIPE SIZE	225mm	225mm	225mm	



COVER LEVEL	64.886	65.221
INVERT LEVEL	62.307	63.833
DEPTH (m)	4.049	1.388
DISTANCE (m)	61.02	
PIPE SLOPE	1:40	
PIPE SIZE	150mm	



COVER LEVEL	64.892	64.917
INVERT LEVEL	62.965	63.497
DEPTH (m)	2.652	1.425
DISTANCE (m)	33.89	
PIPE SLOPE	1:64	
PIPE SIZE	225mm	

REV	DATE	DESCRIPTION	PJC	BY	CHKD
P1	17/12/19	PLANNING ISSUE			BCM

STAGE 2 - PLANNING

DESIGNED	BCM	PREPARED	PJC
DATE	OCT 2019	CHECKED	DJR

DBFL Consulting Engineers
 Dublin Office: Ormrod House, Upper Ormrod Quay, Dublin 7, Ireland. PHONE +353 1 400 4000 FAX +353 1 400 4050
 Waterford Office: Unit 2, The Chandlery, 1-2 O'Connell Street, Waterford, Ireland. PHONE +353 51 338 550 FAX +353 51 844 913

PROJECT
NEWTOWNMOYAGHY SHD

DRG. TITLE
LONGITUDINAL SECTIONS THROUGH FOUL SEWER SHEET 5 OF 6

CLIENT
MCGARRELL REILLY